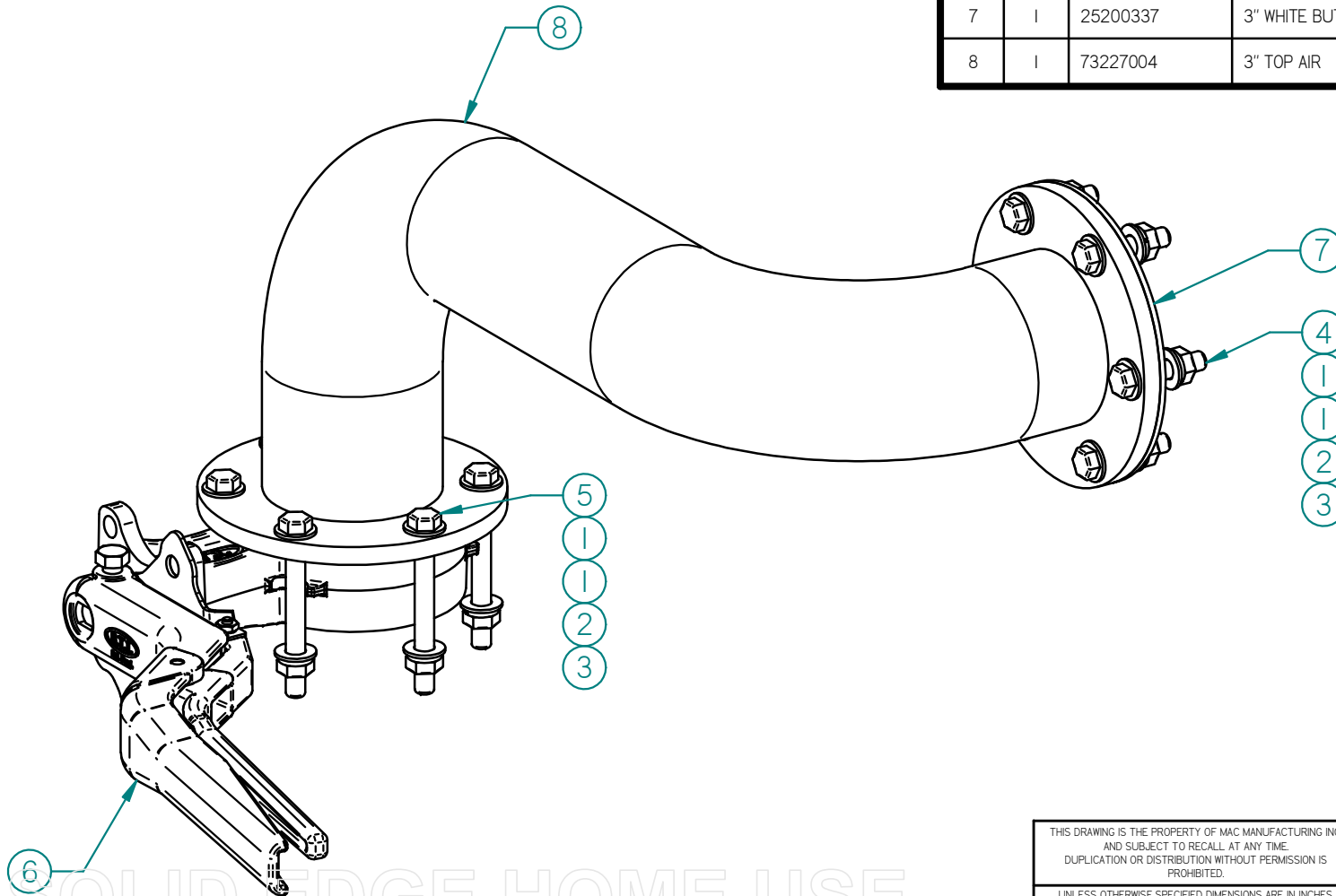


# TOP AIR ADD ON KIT 3" PIPE

| ITEM | QTY. | PART No.     | DESCRIPTION                     | WEIGHT  |
|------|------|--------------|---------------------------------|---------|
| 1    | 24   | 20103710     | WASHER, 3/8" STAINLESS          | 0.2 lbm |
| 2    | 12   | 20113710     | WASHER LOCK, 3/8" STAINLESS     | 0.1 lbm |
| 3    | 12   | 20203763     | LOCK NUT, 3/8-16 STAINLESS      | 0.2 lbm |
| 4    | 6    | 20303163-1.7 | HHCS,3/8-16 X 1 3/4" STAINLESS  | 0.4 lbm |
| 5    | 6    | 20303163-3.5 | HHCS,3/8-16 X 3-1/2" STAINLESS  | 0.8 lbm |
| 6    | 1    | 24072700     | BUTTERFLY VALVE 3" WHITE, SST   | 0.0 lbm |
| 7    | 1    | 25200337     | 3" WHITE BUTTERFLY VALVE GASKET | 0.1 lbm |
| 8    | 1    | 73227004     | 3" TOP AIR                      | 3.5 lbm |

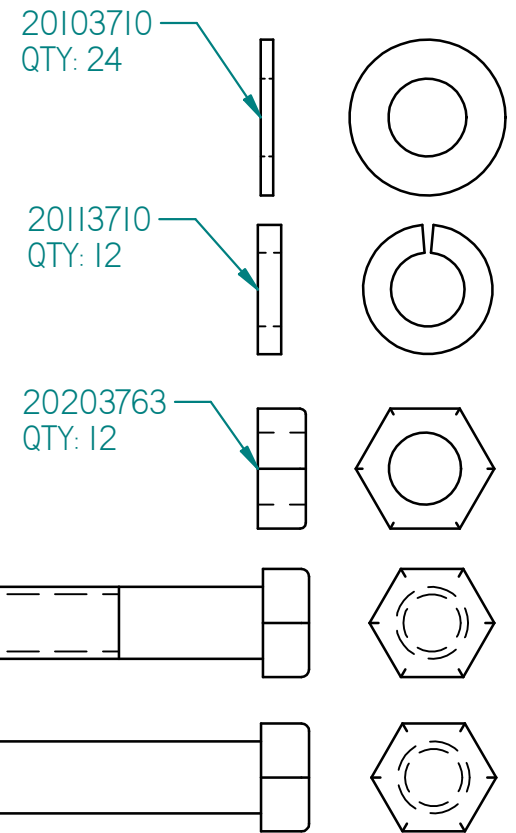
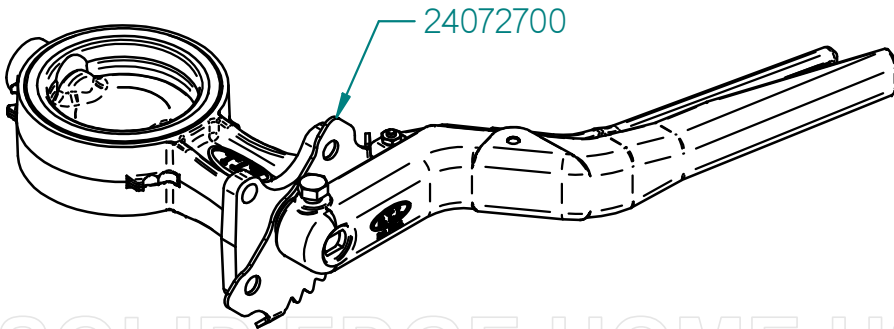
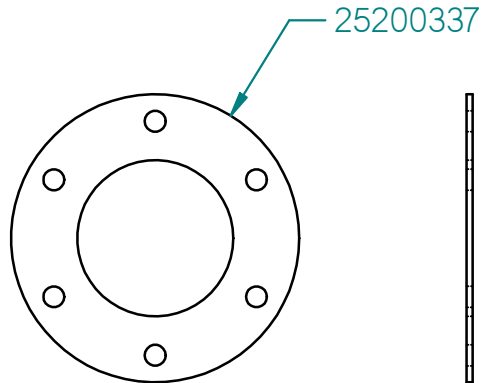
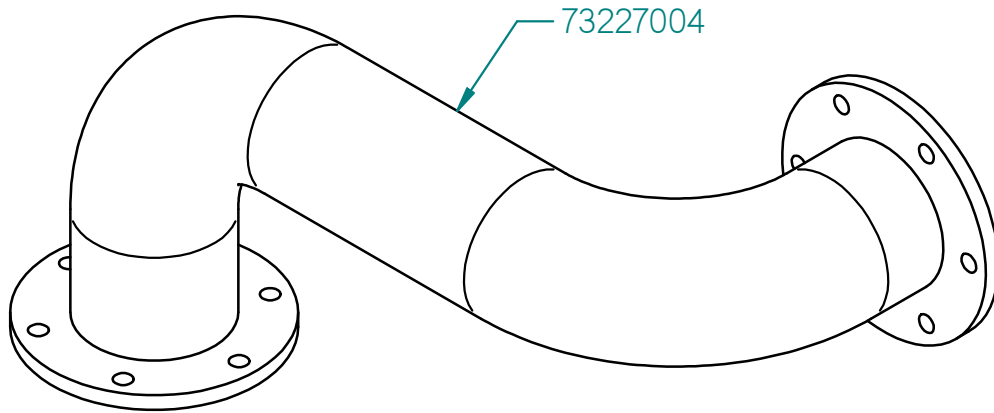


SOLID EDGE HOME USE

|  |                |                               |
|--|----------------|-------------------------------|
| THIS DRAWING IS THE PROPERTY OF MAC MANUFACTURING INC. AND SUBJECT TO RECALL, AT ANY TIME. DUPLICATION OR DISTRIBUTION WITHOUT PERMISSION IS PROHIBITED. |                | <b>MAC</b> MANUFACTURING INC. |
| UNLESS OTHERWISE SPECIFIED DIMENSIONS ARE IN INCHES ANGLES ±2° FRACTIONS ±1/16" DECIMALS ±0.02   |                |                               |
| DRAWN: clintb  | DATE: 12/01/15 | TOP AIR ADD ON KIT, 3" PIPE   |
| WEIGHT: 18.8 lbm   | PAGE 1 OF 2    | PART #: 73803002              |

| REV. | DATE     | REASON FOR CHANGE      | ECN # | BY     |
|------|----------|------------------------|-------|--------|
| 1    | 12/01/15 | RELEASED TO PRODUCTION | N/A   | clintb |

# TOP AIR ADD ON KIT 3" PIPE



SOLID EDGE HOME USE

THIS DRAWING IS THE PROPERTY OF MAC MANUFACTURING INC. AND SUBJECT TO RECALL, AT ANY TIME. DUPLICATION OR DISTRIBUTION WITHOUT PERMISSION IS PROHIBITED.

**MAC** MANUFACTURING INC.

UNLESS OTHERWISE SPECIFIED DIMENSIONS ARE IN INCHES ANGLES ±2° FRACTIONS ±1/16 DECIMALS ±0.02

TOP AIR ADD ON KIT, 3" PIPE

|      |          |                        |       |        |
|------|----------|------------------------|-------|--------|
| 1    | 12/01/15 | RELEASED TO PRODUCTION | N/A   | clintb |
| REV. | DATE     | REASON FOR CHANGE      | ECN # | BY     |

|                  |                |
|------------------|----------------|
| DRAWN: clintb    | DATE: 12/01/15 |
| WEIGHT: 18.8 lbm | PAGE 2 OF 2    |

PART #: 73803002